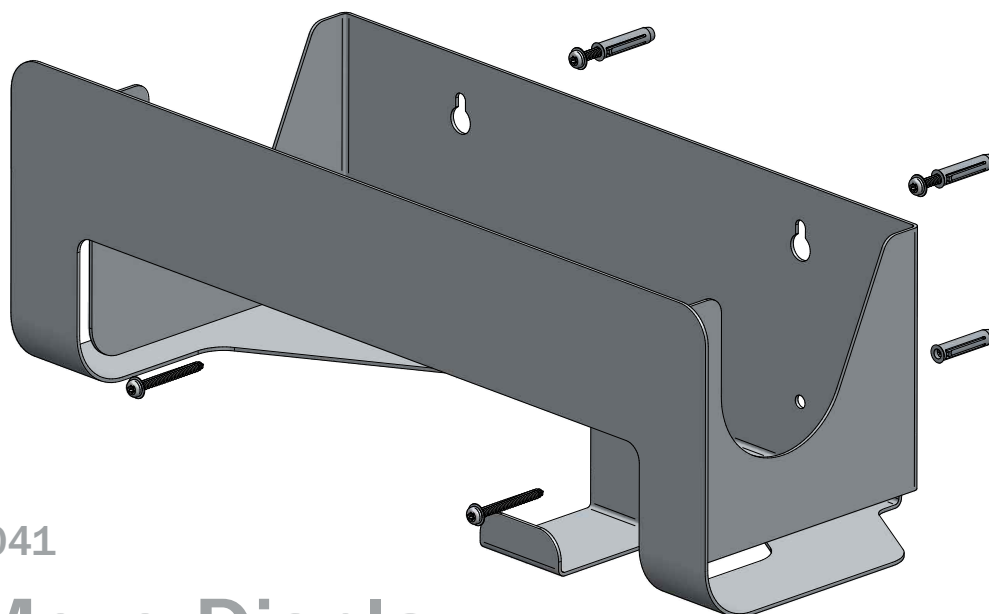


# 2Move Display

## Installation guide

**immedia**  
by Etac



IM4041

## 2Move Display

### Installation guide for 2Move Display

Use the template on the back of this sheet, to mark the position of the 4 holes.

Drill 4 holes, with a diameter of 8 mm and a minimum depth of 50 mm.

Mount the 4 supplied fasteners in their holes.

Mount screws and washers in the top fasteners and hang the display on them.

Mount screws and washers in the lower 2 fasteners and tighten all 4 screws.

Item no	Article name	Description	GTIN no	Size in mm
IM4041	2Move Display	For 2Move Board + Disposable Cover	05708012004508	H204xW531xL250

#### Manufacturer:

Etac AB  
Etac Immedia A/S  
Egeskovvej 12  
DK-8700 Horsens  
Denmark  
Web: [www.etac.com](http://www.etac.com)

**etac**<sup>®</sup>  
Creating Possibilities

Hole Size  $\varnothing$  8 mm x 50 mm



260 mm



Keep this line level

100 mm



**immedia**  
by Etac